



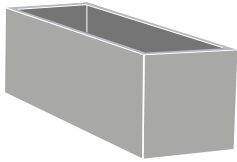
## Wilshire Planters GFRC Rectangle & Square

Lightweight GFRC weighs 75% less than typical cast concrete, but retains its durability, strength, and natural appearance. Wilshire planters in GFRC are great for high traffic, street level installations, but light enough to work on a roof deck. Available in 11 colors and five textures.

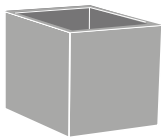
Made in Glass Fiber Reinforced Concrete (GFRC), Wilshire planters are durable in all climates and lighter than standard concrete.

# Wilshire Planters, GFRG Rectangle & Square

## WILSHIRE PLANTERS, GFRG RECTANGLES & SQUARES



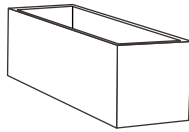
Rectangle



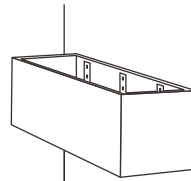
Square

## THE COMPLETE WILSHIRE COLLECTION

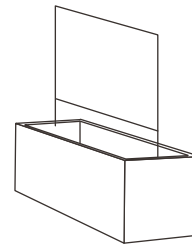
For additional shapes and materials, visit [tournesol.com/collections/wilshire](https://tournesol.com/collections/wilshire)



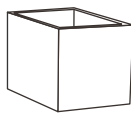
Rectangle



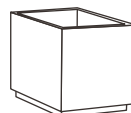
Hanging Box



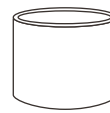
Trellis, Laser-Cut Screen



Square



Toe Kick



Round



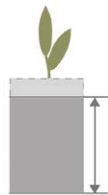
Round with Toe Kick

## OPTIONS

Standard Wilshire Planters can be modified with a broad array of options without incurring custom charges. Options are limited to those products that can support them. Speak to a Tournesol Advisor to discuss which options will work with your project.



Irrigation



Change Dimension



Accessory Pockets



Scoops



Casters



Tourneseal



Drain Holes



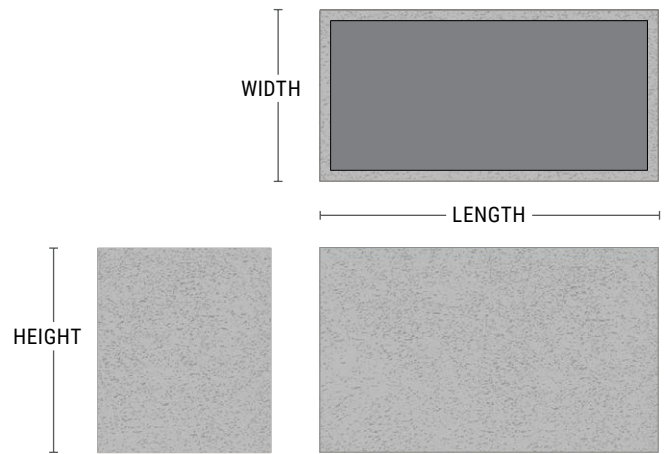
Matching Saucer



Lift Channels

# Wilshire Planters GFRC Rectangle & Square

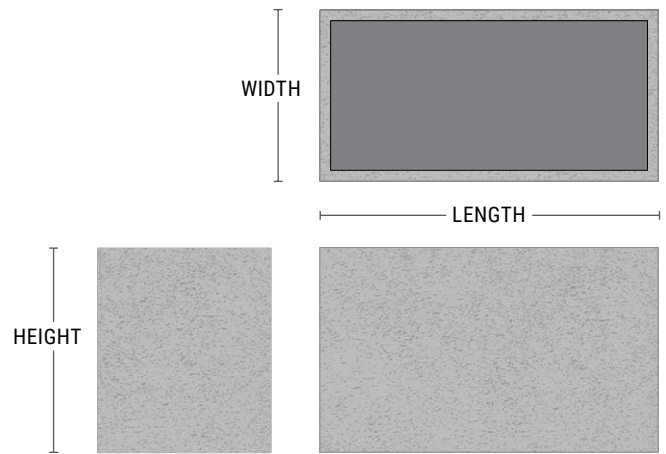
- Durable Glass Fiber Reinforced Concrete
- 75% lighter than cast concrete
- Huge range of sizes
- Drain holes standard



PRODUCT	SHAPE	LENGTH	WIDTH	HEIGHT	WEIGHT (LBS.)	VOLUME (CUBIC FT.)	INTERIOR TOP	INTERIOR BOTTOM	IRRIGATION
WCR-241218	Rectangle	24"	12"	18"	110	2.1	20" x 8"	22.5" x 10.5"	CWM-R1109-MS
WCR-241818	Rectangle	24"	18"	18"	135	3.4	20" x 14"	22.5" x 16.5"	CWM-R1109-MS
WCR-241824	Rectangle	24"	18"	24"	160	4.7	20" x 14"	22.5" x 16.5"	CWM-R1614-MS
WCR-241830	Rectangle	24"	18"	30"	190	6	20" x 14"	22.5" x 16.5"	CWM-R1620-MS
WCR-241836	Rectangle	24"	18"	36"	190	7.3	21" x 15"	22.5" x 16.5"	CWM-R1620-MS
WCR-242418	Square	24"	24"	18"	155	4.7	20" x 20"	22.5" x 22.5"	CWM-R1109-MS
WCR-2400F	Square	24"	24"	24"	225	7	21" x 21"	19.5" x 19.5"	CWC-R1850/CWM-R1114-2k
WCR-3000F	Square	30"	30"	27"	275	11	26" x 26"	24.5" x 24.5"	CWM-R1620-2k
WCR-361218	Rectangle	36"	12"	18"	150	3.3	32" x 8"	34.5" x 10.5"	CWM-R1109-2k
WCR-361818	Rectangle	36"	18"	18"	175	5.3	32" x 14"	34.5" x 16.5"	CWM-R1109-2k
WCR-361824	Rectangle	36"	18"	24"	225	7.1	32" x 14"	34.5" x 16.5"	CWM-R2014-MS
WCR-361830	Rectangle	36"	18"	30"	260	9.1	32" x 14"	34.5" x 16.5"	CWM-R2020-MS
WCR-361836	Rectangle	36"	18"	36"	275	11.1	33" x 15"	34.5" x 16.5"	CWM-R1620-MS
WCR-362418	Rectangle	36"	24"	18"	205	7.2	32" x 20"	34.5" x 22.5"	CWM-R1109-2k
WCR-362424	Rectangle	36"	24"	24"	260	9.8	32" x 20"	34.5" x 22.5"	CWM-R2014-MS
WCR-362430	Rectangle	36"	24"	30"	300	12.5	32" x 20"	34.5" x 22.5"	CWM-R2920-MS
WCR-362436	Rectangle	36"	24"	36"	375	14.9	31" x 19"	34.5" x 22.5"	CWM-R2020-MS
WCR-362442	Rectangle	36"	24"	42"	425	17.6	31" x 19"	34.5" x 22.5"	CWM-R2020-MS
WCR-363018	Rectangle	36"	30"	18"	235	9.2	32" x 26"	34.5" x 28.5"	CWM-R1109-2k
WCR-363024	Rectangle	36"	30"	24"	290	12.5	32" x 26"	34.5" x 28.5"	CWM-R2914-MS

# Wilshire Planters GFRC Rectangle & Square

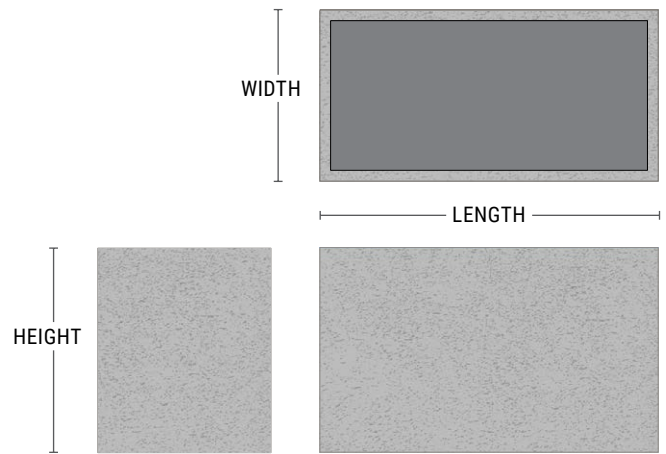
- Durable Glass Fiber Reinforced Concrete
- 75% lighter than cast concrete
- Huge range of sizes
- Drain holes standard



PRODUCT	SHAPE	LENGTH	WIDTH	HEIGHT	WEIGHT (LBS.)	VOLUME (CUBIC FT.)	INTERIOR TOP	INTERIOR BOTTOM	IRRIGATION
WCR-363030	Rectangle	36"	30"	30"	375	15.6	31" x 25"	34.5" x 28.5"	CWM-R2920-MS
WCR-363042	Rectangle	36"	30"	42"	475	22.4	31" x 25"	34.5" x 28.5"	CWM-R2920-MS
WCR-363618	Square	36"	36"	18"	260	11.2	31" x 31"	34.5" x 34.5"	CWM-R1109-2k
WCR-363624	Square	36"	36"	24"	335	15.1	31" x 31"	34.5" x 34.5"	CWM-R2914-MS
WCR-3600F	Square	36"	36"	30"	430	21	31" x 31"	30.5" x 30.5"	CWM-R2020-2k
WCR-363636	Rectangle	36"	36"	36"	485	23	31" x 31"	34.5" x 34.5"	CWM-R2920-MS
WCR-363642	Rectangle	36"	36"	42"	530	27.1	31" x 31"	34.5" x 34.5"	CWM-R2920-MS
WCR-4200F	Square	42"	42"	36"	580	30.7	37" x 37"	40.5" x 40.5"	CWM-R2020-4K-CRT
WCR-481218	Rectangle	48"	12"	18"	190	4.5	44" x 8"	46.5" x 10.5"	CWM-R1109-2k
WCR-481818	Rectangle	48"	18"	18"	220	7.1	44" x 14"	46.5" x 16.5"	CWM-R1109-2k
WCR-481824	Rectangle	48"	18"	24"	285	9.7	44" x 14"	46.5" x 16.5"	CWM-R1614-2k
WCR-481830	Rectangle	48"	18"	30"	325	12.3	44" x 14"	46.5" x 16.5"	CWM-R1620-2k
WCR-481836	Rectangle	48"	18"	36"	340	15	45" x 15"	46.5" x 16.5"	CWM-R1620-2k
WCR-482418	Rectangle	48"	24"	18"	255	9.8	44" x 20"	46.5" x 22.5"	CWM-R1109-3k
WCR-482424	Rectangle	48"	24"	24"	320	13.3	44" x 20"	46.5" x 22.5"	CWM-R1614-2k
WCR-482430	Rectangle	48"	24"	30"	365	16.9	44" x 20"	46.5" x 22.5"	CWM-R1620-2k
WCR-482436	Rectangle	48"	24"	36"	460	20.2	43" x 19"	46.5" x 22.5"	CWM-R1620-2k
WCR-482442	Rectangle	48"	24"	42"	515	23.8	43" x 19"	46.5" x 22.5"	CWM-R1620-2k
WCR-483018	Rectangle	48"	30"	18"	285	12.5	44" x 26"	46.5" x 28.5"	CWM-R1109-2k
WCR-483024	Rectangle	48"	30"	24"	355	16.9	44" x 26"	46.5" x 28.5"	CWM-R1614-2k

# Wilshire Planters GFRC Rectangle & Square

- Durable Glass Fiber Reinforced Concrete
- 75% lighter than cast concrete
- Huge range of sizes
- Drain holes standard

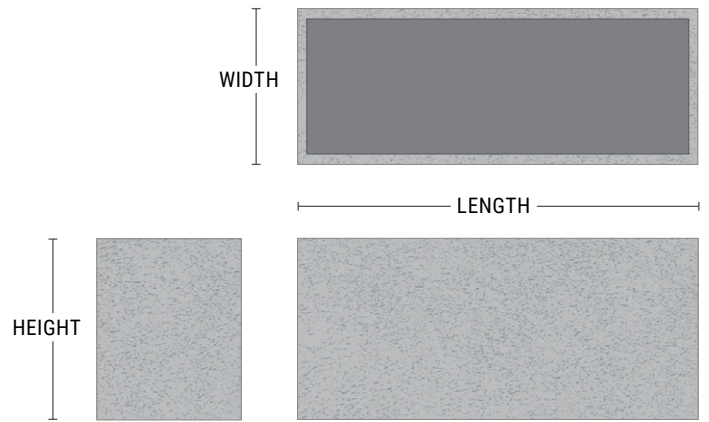


PRODUCT	SHAPE	LENGTH	WIDTH	HEIGHT	WEIGHT (LBS.)	VOLUME (CUBIC FT.)	INTERIOR TOP	INTERIOR BOTTOM	IRRIGATION
WCR-483030	Rectangle	48"	30"	30"	455	21.2	43" x 25"	46.5" x 28.5"	CWM-R1620-2k
WCR-483036	Rectangle	48"	30"	36"	515	25.7	43" x 25"	46.5" x 28.5"	CWM-R1620-2k
WCR-483042	Rectangle	48"	30"	42"	570	30.3	43" x 25"	46.5" x 28.5"	CWM-R1620-2k
WCR-483618	Rectangle	48"	36"	18"	320	15.1	43" x 31"	46.5" x 34.5"	CWM-R1109-2k
WCR-483624	Rectangle	48"	36"	24"	405	20.5	43" x 31"	46.5" x 34.5"	CWM-R1614-2k
WCR-483630	Rectangle	48"	36"	30"	460	26.1	43" x 31"	46.5" x 34.5"	CWM-R1620-2k
WCR-483636	Rectangle	48"	36"	36"	575	31.2	43" x 31"	46.5" x 34.5"	CWM-R1620-2k
WCR-483642	Rectangle	48"	36"	42"	630	36.8	43" x 31"	46.5" x 34.5"	CWM-R1620-2k
WCR-484818	Square	48"	48"	18"	400	18.7	43" x 43"	46.5" x 46.5"	CWM-R1614-2k
WCR-4824F	Square	48"	48"	24"	500	26.5	43" x 43"	42.5" x 42.5"	CWM-R2914-2k
WCR-484830	Square	48"	48"	30"	560	33.2	43" x 43"	46.5" x 46.5"	CWM-R1620-2k
WCR-4800F	Square	48"	48"	36"	700	45	43" x 43"	42.5" x 42.5"	CWM-R2920-2k
WCR-484842	Square	48"	48"	42"	870	46.8	43" x 43"	46.5" x 46.5"	CWM-R1620-2k
WCR-601218	Rectangle	60"	12"	18"	230	5.6	56" x 8"	58.5" x 10.5"	CWM-R1109-3k
WCR-601818	Rectangle	60"	18"	18"	270	8.9	56" x 14"	58.5" x 16.5"	CWM-R1109-3k
WCR-601824	Rectangle	60"	18"	24"	345	12.1	56" x 14"	58.5" x 16.5"	CWM-R2014-2k
WCR-601830	Rectangle	60"	18"	30"	400	15.5	56" x 14"	58.5" x 16.5"	CWM-R2020-2k
WCR-601836	Rectangle	60"	18"	36"	425	18.7	57" x 15"	58.5" x 16.5"	CWM-R2020-2k
WCR-602418	Rectangle	60"	24"	18"	305	12.3	56" x 20"	58.5" x 22.5"	CWM-R1109-3k
WCR-602424	Rectangle	60"	24"	24"	385	16.7	56" x 20"	58.5" x 22.5"	CWM-R2014-2k



# Wilshire Planters GFRC Rectangle & Square

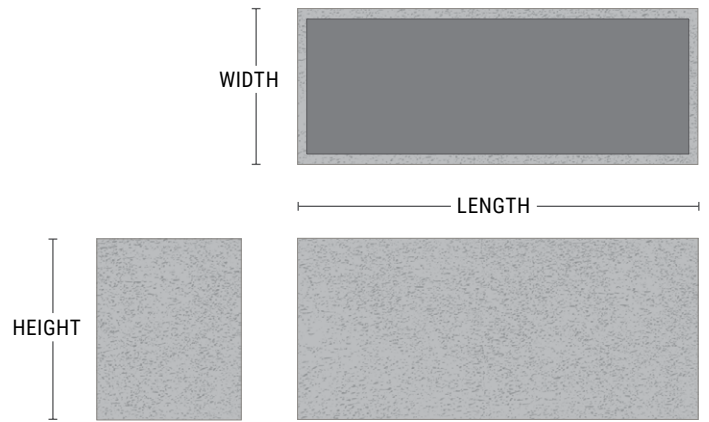
- Durable Glass Fiber Reinforced Concrete
- 75% lighter than cast concrete
- Huge range of sizes
- Drain holes standard



PRODUCT	SHAPE	LENGTH	WIDTH	HEIGHT	WEIGHT (LBS.)	VOLUME (CUBIC FT.)	INTERIOR TOP	INTERIOR BOTTOM	IRRIGATION
WCR-602430	Rectangle	60"	24"	30"	445	21.3	56" x 20"	58.5" x 22.5"	CWM-R2020-2k
WCR-602436	Rectangle	60"	24"	36"	565	25.4	55" x 19"	58.5" x 22.5"	CWM-R2020-2k
WCR-602442	Rectangle	60"	24"	42"	630	29.9	55" x 19"	58.5" x 22.5"	CWM-R2020-2k
WCR-603018	Rectangle	60"	30"	18"	345	15.7	56" x 26"	58.5" x 28.5"	CWM-R1109-3k
WCR-603024	Rectangle	60"	30"	24"	425	21.3	56" x 26"	58.5" x 28.5"	CWM-R2014-2k
WCR-603030	Rectangle	60"	30"	30"	545	26.7	55" x 25"	58.5" x 28.5"	CWM-R2020-2k
WCR-603042	Rectangle	60"	30"	42"	690	38.1	55" x 25"	58.5" x 28.5"	CWM-R2020-2k
WCR-603618	Rectangle	60"	36"	18"	380	19.1	55" x 31"	58.5" x 34.5"	CWM-R1109-3k
WCR-603624	Rectangle	60"	36"	24"	480	25.8	55" x 31"	58.5" x 34.5"	CWM-R2014-2k
WCR-603630	Rectangle	60"	36"	30"	545	32.8	55" x 31"	58.5" x 34.5"	CWM-R2020-2k
WCR-603636	Rectangle	60"	36"	36"	690	39.2	55" x 31"	58.5" x 34.5"	CWM-R2020-2k
WCR-603642	Rectangle	60"	36"	42"	755	46.2	55" x 31"	58.5" x 34.5"	CWM-R2020-2k
WCR-604818	Rectangle	60"	48"	18"	470	23.5	55" x 43"	58.5" x 46.5"	CWM-R2014-2k
WCR-604824	Rectangle	60"	48"	24"	780	32.4	55" x 43"	58.5" x 46.5"	CWM-R2014-2k
WCR-604830	Rectangle	60"	48"	30"	655	41.8	55" x 43"	58.5" x 46.5"	CWM-R2020-2k
WCR-604836	Rectangle	60"	48"	36"	930	49.5	55" x 43"	58.5" x 46.5"	CWM-R2020-2k
WCR-604842	Rectangle	60"	48"	42"	1035	58.7	55" x 43"	58.5" x 46.5"	CWM-R2020-2k
WCR-6000F	Square	60"	60"	42"	1050	51	55" x 55"	54.5" x 54.5"	CWM-R2920-4k
WCR-721218	Rectangle	72"	12"	18"	270	6.8	68" x 8"	70.5" x 10.5"	CWM-R1109-4k
WCR-721818	Rectangle	72"	18"	18"	315	10.8	68" x 14"	70.5" x 16.5"	CWM-R1109-4k

# Wilshire Planters GFRC Rectangle & Square

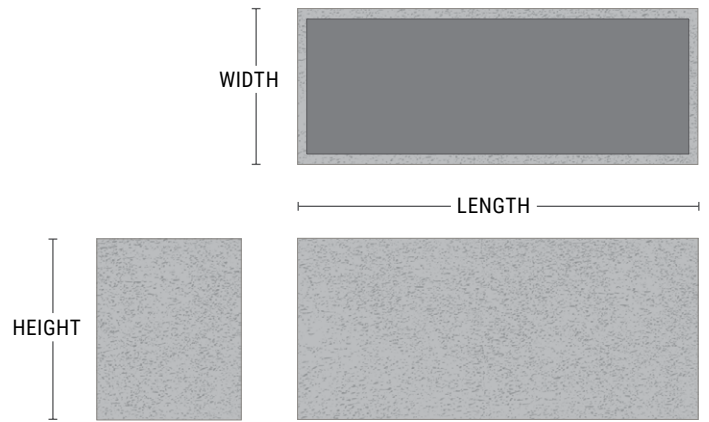
- Durable Glass Fiber Reinforced Concrete
- 75% lighter than cast concrete
- Huge range of sizes
- Drain holes standard



PRODUCT	SHAPE	LENGTH	WIDTH	HEIGHT	WEIGHT (LBS.)	VOLUME (CUBIC FT.)	INTERIOR TOP	INTERIOR BOTTOM	IRRIGATION
WCR-721824	Rectangle	72"	18"	24"	410	14.6	68" x 14"	70.5" x 16.5"	CWM-R1614-3k
WCR-721830	Rectangle	72"	18"	30"	470	18.6	68" x 14"	70.5" x 16.5"	CWM-R1620-3k
WCR-721836	Rectangle	72"	18"	36"	500	22.5	69" x 15"	70.5" x 16.5"	CWM-R1620-3k
WCR-722418	Rectangle	72"	24"	18"	360	14.8	68" x 20"	70.5" x 22.5"	CWM-R1109-4k
WCR-722424	Rectangle	72"	24"	24"	450	20.1	68" x 20"	70.5" x 22.5"	CWM-R1614-3k
WCR-722430	Rectangle	72"	24"	30"	520	25.6	68" x 20"	70.5" x 22.5"	CWM-R1620-3k
WCR-722436	Rectangle	72"	24"	36"	660	30.6	67" x 19"	70.5" x 22.5"	CWM-R1620-3k
WCR-722442	Rectangle	72"	24"	42"	735	36	67" x 19"	70.5" x 22.5"	CWM-R1620-3k
WCR-723018	Rectangle	72"	30"	18"	400	18.9	68" x 26"	70.5" x 28.5"	CWM-R1109-4k
WCR-723024	Rectangle	72"	30"	24"	500	25.7	68" x 26"	70.5" x 28.5"	CWM-R1614-3k
WCR-723030	Rectangle	72"	30"	30"	630	32.2	67" x 25"	70.5" x 28.5"	CWM-R1620-3k
WCR-723036	Rectangle	72"	30"	36"	725	38.9	67" x 25"	70.5" x 28.5"	CWM-R1620-3k
WCR-723042	Rectangle	72"	30"	42"	795	45.9	67" x 25"	70.5" x 28.5"	CWM-R1620-3k
WCR-723618	Rectangle	72"	36"	18"	440	23	67" x 31"	70.5" x 34.5"	CWM-R1109-4k
WCR-723624	Rectangle	72"	36"	24"	550	31.1	67" x 31"	70.5" x 34.5"	CWM-R1614-3k
WCR-723630	Rectangle	72"	36"	30"	625	39.5	67" x 31"	70.5" x 34.5"	CWM-R1620-3k
WCR-723636	Rectangle	72"	36"	36"	795	47.3	67" x 31"	70.5" x 34.5"	CWM-R1620-3k
WCR-723642	Rectangle	72"	36"	42"	870	55.7	67" x 31"	70.5" x 34.5"	CWM-R1620-3k
WCR-724818	Rectangle	72"	48"	18"	540	28.3	67" x 43"	70.5" x 46.5"	CWM-R1614-3k
WCR-724824	Rectangle	72"	48"	24"	995	39.1	67" x 43"	70.5" x 46.5"	CWM-R2914-2k

# Wilshire Planters GFRC Rectangle & Square

- Durable Glass Fiber Reinforced Concrete
- 75% lighter than cast concrete
- Huge range of sizes
- Drain holes standard

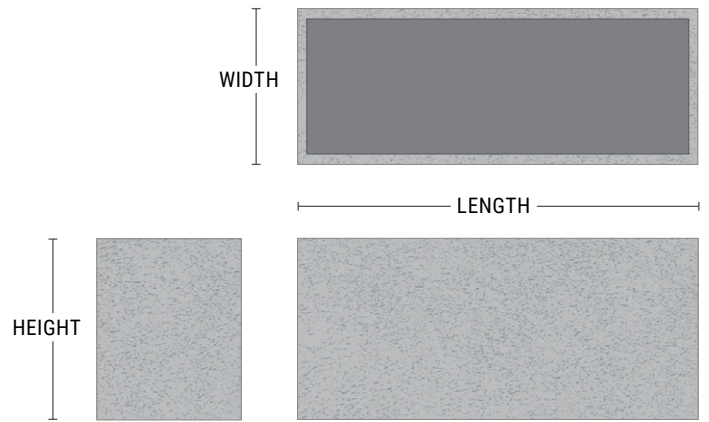


PRODUCT	SHAPE	LENGTH	WIDTH	HEIGHT	WEIGHT (LBS.)	VOLUME (CUBIC FT.)	INTERIOR TOP	INTERIOR BOTTOM	IRRIGATION
WCR-724830	Rectangle	72"	48"	30"	750	50.5	67" x 43"	70.5" x 46.5"	CWM-R1620-3k
WCR-724836	Rectangle	72"	48"	36"	1060	59.8	67" x 43"	70.5" x 46.5"	CWM-R2920-2k
WCR-724842	Rectangle	72"	48"	42"	1165	71	67" x 43"	70.5" x 46.5"	CWM-R2920-2k
WCR-7200F	Square	72"	72"	42"	1250	112.5	67" x 67"	66.5" x 66.5"	CWM-R2020-4k-E
WCR-961218	Rectangle	96"	12"	18"	350	9.1	92" x 8"	94.5" x 10.5"	CWM-R1109-4k
WCR-961818	Rectangle	96"	18"	18"	445	14.2	92" x 14"	94.5" x 16.5"	CWM-R1109-5k
WCR-961824	Rectangle	96"	18"	24"	555	19.3	92" x 14"	94.5" x 16.5"	CWM-R1614-3k
WCR-961830	Rectangle	96"	18"	30"	635	24.7	92" x 14"	94.5" x 16.5"	CWM-R2020-3k
WCR-961836	Rectangle	96"	18"	36"	640	30.2	93" x 15"	94.5" x 16.5"	CWM-R1620-4k
WCR-962418	Rectangle	96"	24"	18"	490	19.7	92" x 20"	94.5" x 22.5"	CWM-R1109-5k
WCR-962424	Rectangle	96"	24"	24"	575	27	92" x 20"	94.5" x 22.5"	CWM-R2014-3k
WCR-962430	Rectangle	96"	24"	30"	700	34.1	92" x 20"	94.5" x 22.5"	CWM-R1620-4k
WCR-962436	Rectangle	96"	24"	36"	885	40.7	91" x 19"	94.5" x 22.5"	CWM-R1620-4k
WCR-962442	Rectangle	96"	24"	42"	965	48.1	91" x 19"	94.5" x 22.5"	CWM-R2020-3k
WCR-963018	Rectangle	96"	30"	18"	540	25.2	92" x 26"	94.5" x 28.5"	CWM-R1109-5k
WCR-963024	Rectangle	96"	30"	24"	665	34.2	92" x 26"	94.5" x 28.5"	CWM-R2014-3k
WCR-963030	Rectangle	96"	30"	30"	825	43	91" x 25"	94.5" x 28.5"	CWM-R2020-3k
WCR-963042	Rectangle	96"	30"	42"	1045	61.3	91" x 25"	94.5" x 28.5"	CWM-R1620-4k
WCR-963618	Rectangle	96"	36"	18"	585	30.6	91" x 31"	94.5" x 34.5"	CWM-R1109-5k
WCR-963624	Rectangle	96"	36"	24"	725	41.6	91" x 31"	94.5" x 34.5"	CWM-R2014-3k



# Wilshire Planters GFRC Rectangle & Square

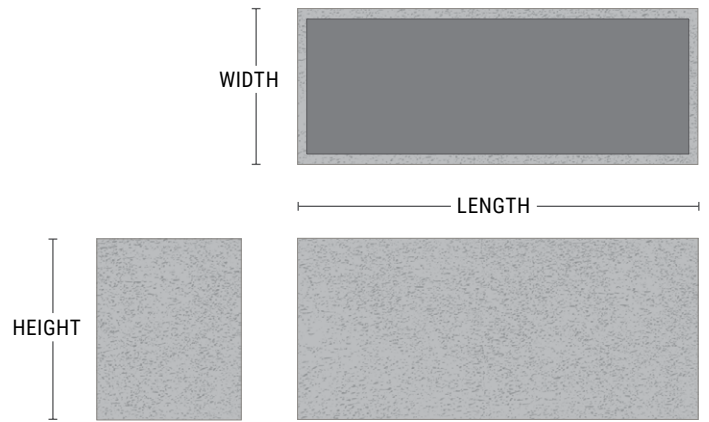
- Durable Glass Fiber Reinforced Concrete
- 75% lighter than cast concrete
- Huge range of sizes
- Drain holes standard



PRODUCT	SHAPE	LENGTH	WIDTH	HEIGHT	WEIGHT (LBS.)	VOLUME (CUBIC FT.)	INTERIOR TOP	INTERIOR BOTTOM	IRRIGATION
WCR-963630	Rectangle	96"	36"	30"	820	52.9	91" x 31"	94.5" x 34.5"	CWM-R2020-3k
WCR-963636	Rectangle	96"	36"	36"	995	63.5	91" x 31"	94.5" x 34.5"	CWM-R1620-4k
WCR-963642	Rectangle	96"	36"	42"	1115	74.6	91" x 31"	94.5" x 34.5"	CWM-R1620-4k
WCR-964818	Rectangle	96"	48"	18"	710	37.6	91" x 43"	94.5" x 46.5"	CWM-R2014-3k
WCR-964824	Rectangle	96"	48"	24"	865	52.1	91" x 43"	94.5" x 46.5"	CWM-R2014-3k
WCR-964830	Rectangle	96"	48"	30"	960	67.3	91" x 43"	94.5" x 46.5"	CWM-R2020-3k
WCR-964836	Rectangle	96"	48"	36"	1320	80.5	91" x 43"	94.5" x 46.5"	CWM-R2020-4k
WCR-964842	Rectangle	96"	48"	42"	1480	95	91" x 43"	94.5" x 46.5"	CWM-R2020-4k
WCR-1201218	Rectangle	120"	12"	18"	430	11.4	116" x 8"	118.5" x 10.5"	CWM-R1109-5k or CWM R1109-MS
WCR-1201818	Rectangle	120"	18"	18"	545	17.8	116" x 14"	118.5" x 16.5"	CWM-R1114-4k/5K or CWM-R1614-4k/5k
WCR-1201824	Rectangle	120"	18"	24"	685	24.3	116" x 14"	118.5" x 16.5"	CWM-R1614-4k
WCR-1201830	Rectangle	120"	18"	30"	780	31	116" x 14"	118.5" x 16.5"	CWM-R2020-4k
WCR-1201836	Rectangle	120"	18"	36"	835	37.5	117" x 15"	118.5" x 16.5"	CWM-R1620-4k
WCR-1202418	Rectangle	120"	24"	18"	600	24.7	116" x 20"	118.5" x 22.5"	CWM-R1109-5K or CWM-R1109-MS
WCR-1202424	Rectangle	120"	24"	24"	705	33.9	116" x 20"	118.5" x 22.5"	CWM-R2014-4k
WCR-1202430	Rectangle	120"	24"	30"	845	42.8	116" x 20"	118.5" x 22.5"	CWM-R2020-4k
WCR-1202436	Rectangle	120"	24"	36"	1070	51.1	115" x 19"	118.5" x 22.5"	CWM-R2020-4k
WCR-1202442	Rectangle	120"	24"	42"	1175	60.3	115" x 19"	118.5" x 22.5"	CWM-R2020-4k
WCR-1203018	Rectangle	120"	30"	18"	660	31.6	116" x 26"	118.5" x 28.5"	CWM-R1109-3K or CWM-R1109-4K
WCR-1203024	Rectangle	120"	30"	24"	805	42.9	116" x 26"	118.5" x 28.5"	CWM-R2014-4k

# Wilshire Planters GFRC Rectangle & Square

- Durable Glass Fiber Reinforced Concrete
- 75% lighter than cast concrete
- Huge range of sizes
- Drain holes standard



PRODUCT	SHAPE	LENGTH	WIDTH	HEIGHT	WEIGHT (LBS.)	VOLUME (CUBIC FT.)	INTERIOR TOP	INTERIOR BOTTOM	IRRIGATION
WCR-1203030	Rectangle	120"	30"	30"	1000	54	115" x 25"	118.5" x 28.5"	CWM-R2020-4k
WCR-1203042	Rectangle	120"	30"	42"	1255	77	115" x 25"	118.5" x 28.5"	CWM-R2020-4k
WCR-1203618	Rectangle	120"	36"	18"	710	38.5	115" x 31"	118.5" x 34.5"	CWM-R1109-5k
WCR-1203624	Rectangle	120"	36"	24"	880	52.2	115" x 31"	118.5" x 34.5"	CWM-R2014-4K1
WCR-1203630	Rectangle	120"	36"	30"	990	66.3	115" x 31"	118.5" x 34.5"	CWM-R2020-4k
WCR-1203636	Rectangle	120"	36"	36"	1235	79.5	115" x 31"	118.5" x 34.5"	CWM-R2020-4k
WCR-1203642	Rectangle	120"	36"	42"	1345	93.6	115" x 31"	118.5" x 34.5"	CWM-R2020-4k